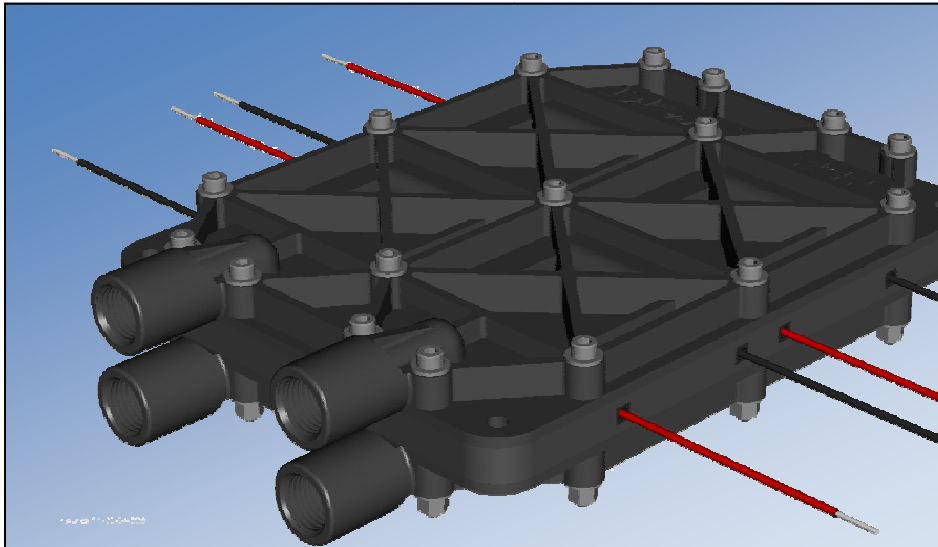


**Multi applicable
liquid to liquid Cooling-unit**

**Datasheet
TCT4-PP-MS**

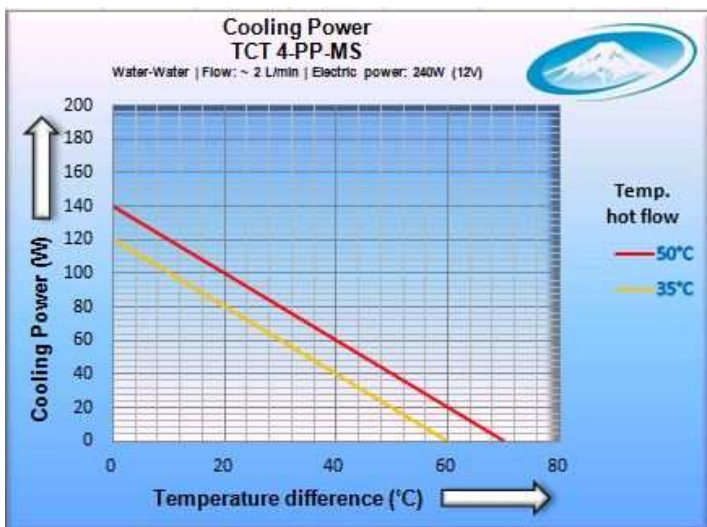
This cooling engine from the Power-Pack series has 4 Peltier elements working together for producing a *Top level Cooling performance* for many applications. The 2 liquid circuits have patented direct surface contact with the Peltier elements. Together with the internal turbulators they create an optimal heat transfer from the element to the liquid to create maximum cooling performance. The Peltier elements inside are mounted in a flexible carrier for extended durability and making the Power Pack series suitable for shocking and vibrating applications.

Specifications TCT4-PP-MS



- ✓ Compact and lightweight
- ✓ High performance
- ✓ Durability & Reliability
- ✓ No CFC's
- ✓ Shock proof
- ✓ Cooling and heating
- ✓ Freedom of heat expel
- ✓ Silent operating
- ✓ Accurate temperature control
- ✓ Environmental friendly
- ✓ Discretional mounting
- ✓ Discretional operating
- ✓ Stationary parts

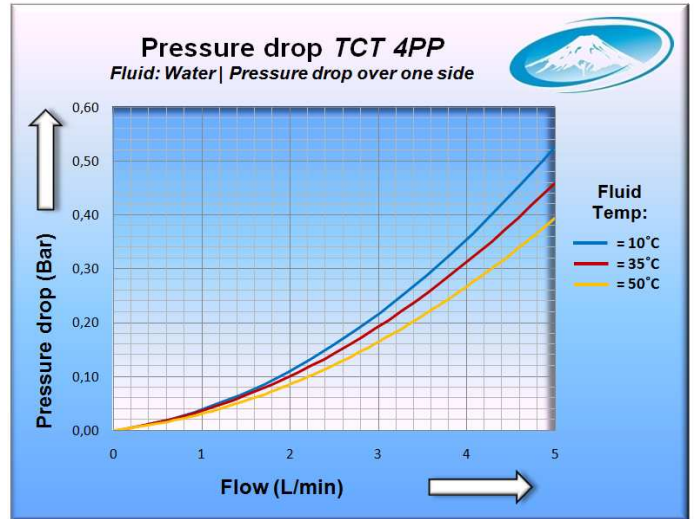
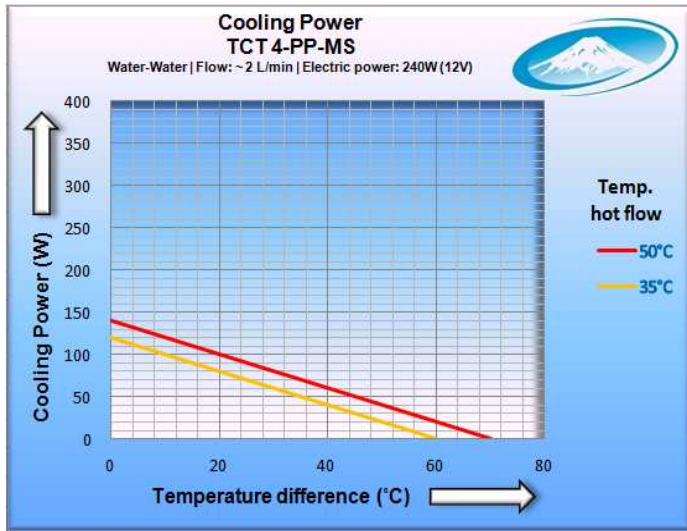
Number of peltier elements:	4	
Type of peltier elements:	12V / 7A	
Dimensions normal TCT	182 x 125 x 41,8 mm	7.17 x 4.92 x 1.65 in
Dimensions twisted TCT (TW)*	204 x 125 x 41,8 mm	8.03 x 4.92 x 1.65 in
Tube connections	G ¼	¼ " BSP
Weight	650 g	1.43 lb
Max. Test pressure	2,0 bar	30 PSI
Spacer	3,5 mm	0.140 in



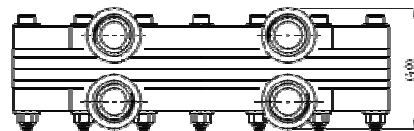
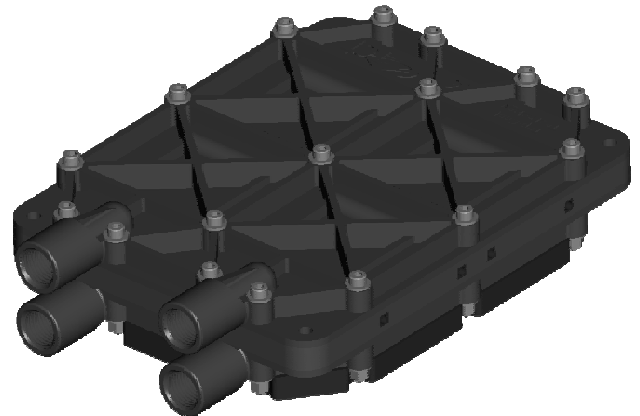
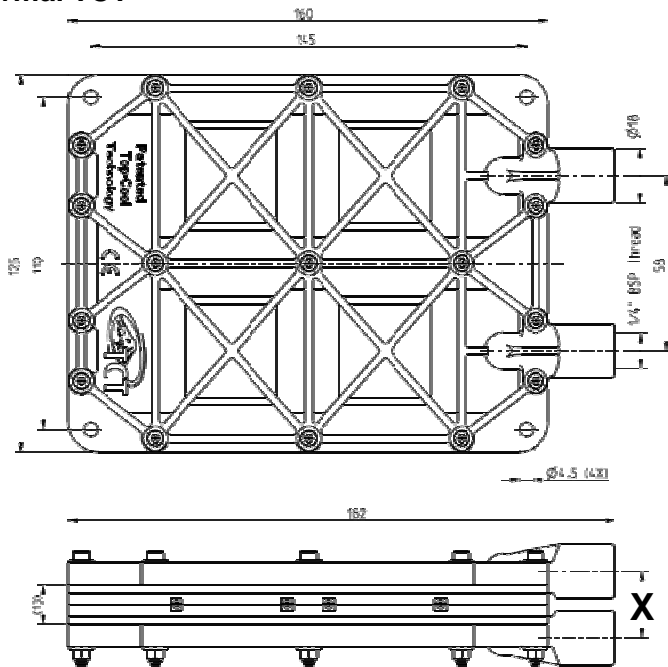
Performance

Advised operating voltage	12VDC	
Maximum operating voltage	15VDC	
Qcool max (12V)	140W	478 BTU/hr
Qwarm min (12V)	240W	818 BTU/hr
ΔT max	70°C	158 °F
COP max (6V)		
COP max (9V)		
COP max (12V)	0,6	60%
COP max (15V)		
Noise level	0 dBA	
Degree of protection	IP54	IP67(sealed unit)





Normal TCT



Distance X

For a normal unit without a spacer

22 mm / 0.87 in

If the unit contains spacers (height on previous page)

$X = 22 + \text{Spacer Height (mm)}$

$X = 0.87 + \text{Spacer Height (in)}$

*Twisted TCT (TW)

